

## AC-15 Actuator

Large handle - Surface mount

### Features

- Rear mount installation
- Surface mounting style
- Direct pull actuation
- Multiple key code options
- Non-locking option

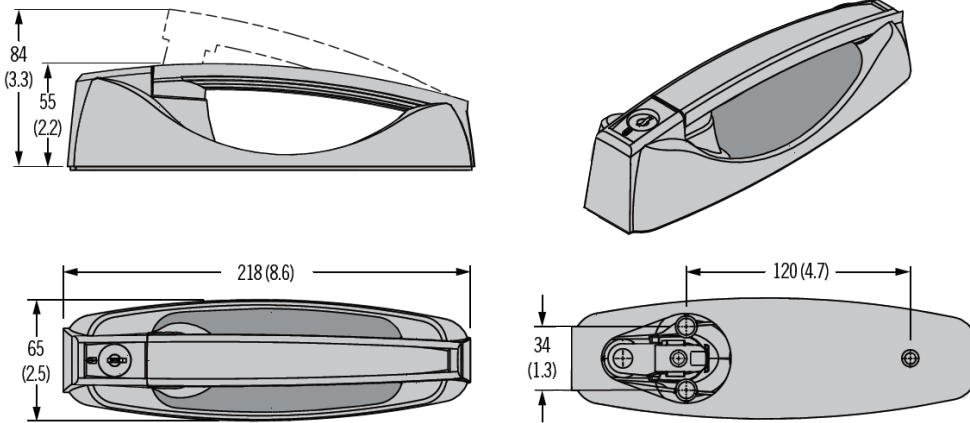
### Material

- Housing, handle, linkage: Glass-filled reinforced nylon, black
- Threaded inserts: Brass, natural
- Housing and handle gaskets: Adhesive backed foam, black



### Installation Notes

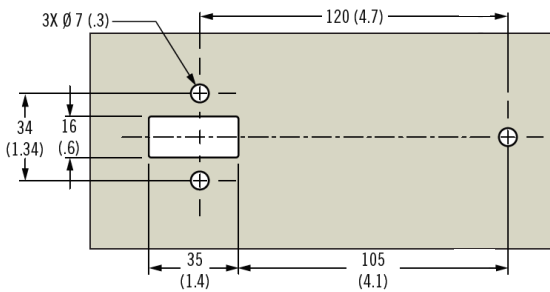
- Recommended screw length = panel thickness +10.0
- Mounting hardware (M6 x 1) not supplied
- Installation torque of mounting nuts not to exceed 7 N.m



**Notes**

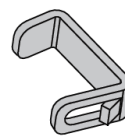
- Contact Gripwell for lock core selection and detailed key information

### Panel Preparation

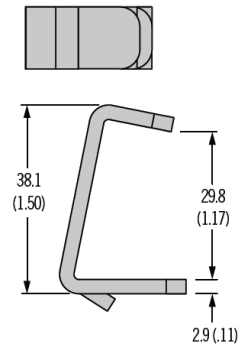


### Trigger Pull

Actuator is recommended to use with Trigger Pull



Part Number	
Trigger Pull	R4-0-51292



**AC - 15 - 1 L 1 - 11 - KC**

### L Locking Options

- 0 Non-Locking
- 1 Reversible key (No keys - R001)
- 2 Reversible key (2 keys included - R001)
- 3 Reversible key (keyed differently - 2 keys included)
- 4 Standard key (No keys - CH751)
- 5 Standard key (2 keys included - CH751)
- 6 Standard key (keyed differently - 2 keys included)
- 9 No Lock Plug installed (See notes for more information)

### KC Key Codes

(Omit for Locking Options 0, 1, 2, 4, 5 and 9)  
 \*KD10 Keyed Differently (Only used if L=3 or 6)  
 \*MK10 Master Keyed Differently (Only used if L=6)

\*Supplied in multiples of 10 with 10 different key codes.



We are proud to be Southco's authorized distributor of over 20 years